

Mathlete Training Centre
AMC 8 2024

Questions

1. What is the ones digit of

$$222,222 - 22,222 - 2,222 - 222 - 22 - 2?$$

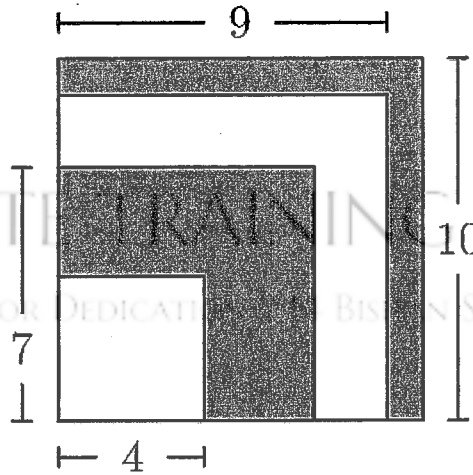
- (A) 0 (B) 2 (C) 4 (D) 6 (E) 8

2. What is the value of this expression in decimal form?

$$\frac{44}{11} + \frac{110}{44} + \frac{44}{1100}$$

- (A) 6.4 (B) 6.504 (C) 6.54 (D) 6.9 (E) 6.94

3. Four squares of side lengths 4, 7, 9 and 10 units are arranged in increasing size order so that their left edges and bottom edges align. The squares alternate in colour white-grey-white-grey, respectively, as shown in the figure. What is the area of the visible grey region in square units?



- (A) 42 (B) 45 (C) 49 (D) 50 (E) 52

4. When Yunji added all the integers from 1 through 9, she mistakenly left out a number. Her incorrect sum turned out to be a square number. Which number did Yunji leave out?

- (A) 5 (B) 6 (C) 7 (D) 8 (E) 9

5. Aaliyah rolls 2 standard 6-sided dice. She notices that the product of the 2 numbers rolled is a multiple of 6. Which of the following *cannot* be the sum of the 2 numbers?

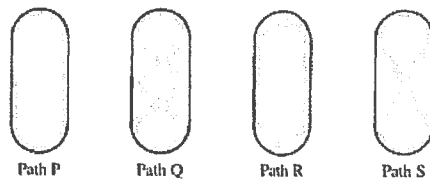
- (A) 5 (B) 6 (C) 7 (D) 8 (E) 9

MATHLETE TRAINING CENTRE

PERSEVERANCE RIGOR DEDICATION 224 BISHAN STREET 23 BI-131

6. Sergei skated around an ice rink, gliding along different paths. The grey lines in the figures below shows 4 of the paths labeled P, Q, R and S. What is the sorted order of the 4 paths from shortest to longest?

PERSEVERANCE RIGOR DEDICATION 224 BISHAN STREET 23 BI-131



- (A) P, Q, R, S (B) P, R, S, Q (C) Q, S, P, R (D) R, P, S, Q (E) R, S, P, Q

MATHLETE TRAINING CENTRE

PERSEVERANCE RIGOR DEDICATION 224 BISHAN STREET 23 BI-131

7. A 3×7 rectangle is covered without overlap by 3 shapes of tiles: 2×2 , 1×4 , and 1×1 , shown below. What is the minimum possible number of 1×1 tiles used?



- (A) 1 (B) 2 (C) 3 (D) 4 (E) 5

MATHLETE TRAINING CENTRE

PERSEVERANCE RIGOR DEDICATION 224 BISHAN STREET 23 BI-131

MATHLETE TRAINING CENTRE

PERSEVERANCE RIGOR DEDICATION 224 BISHAN STREET 23 BI-131

8. On Monday Teye had \$2. Everyday, he either gains \$3 or doubles the amount of money he had on the previous day. How many different dollar amounts could Teye have on Thursday, 3 days later?

- (A) 3 (B) 4 (C) 5 (D) 6 (E) 7

MATHLETE TRAINING CENTRE

PERSEVERANCE RIGOR DEDICATION 224 BISHAN STREET 23 BI-131

9. All of the marbles in Maria's collection are red, green, or blue. Maria has half as many red marbles as green marbles and twice as many blue marbles as green marbles. Which of the following could be the total number of marbles in Maria's collection?
- (A) 24 (B) 25 (C) 26 (D) 27 (E) 28

MATHLETE TRAINING CENTRE

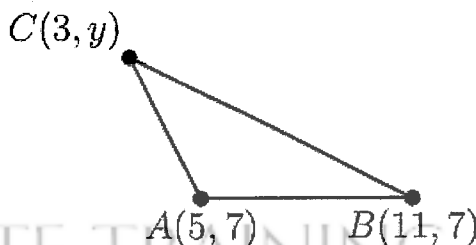
PERSEVERANCE RIGOR DEDICATION 224 BISHAN STREET 23 BI-131

10. In January 1980 the Mauna Loa Observatory recorded carbon dioxide (CO_2) levels of 338 ppm (parts per million). Over the years the average CO_2 reading has increased by about 1.515 ppm each year. What is the expected CO_2 level in ppm in January 2030? Round your answer to nearest integer.
- (A) 399 (B) 414 (C) 420 (D) 444 (E) 459

MATHLETE TRAINING CENTRE

PERSEVERANCE RIGOR DEDICATION 224 BISHAN STREET 23 BI-131

11. The coordinates of $\triangle ABC$ are $A(5,7)$, $B(11,7)$ and $C(3,y)$ with $y > 7$. The area of $\triangle ABC$ is 12. What is the value of y ?



- (A) 8 (B) 9 (C) 10 (D) 11 (E) 12

MATHLETE TRAINING CENTRE

PERSEVERANCE RIGOR DEDICATION 224 BISHAN STREET 23 BI-131

12. Rohan keeps a total of 90 guppies in 4 fish tanks.

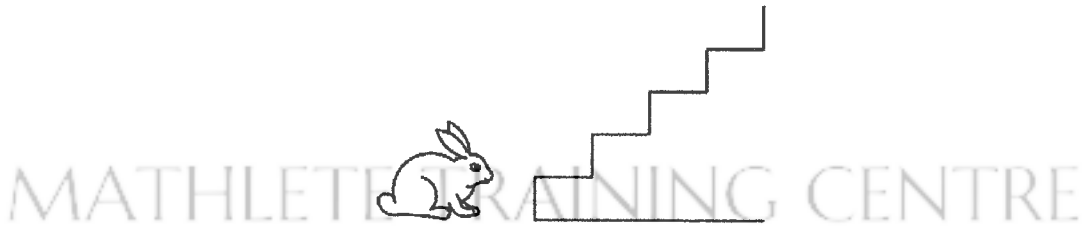
- There is 1 more guppy in the 2nd tank than in the 1st tank.
- There are 2 more guppies in the 3rd tank than in the 2nd tank.
- There are 3 more guppies in the 4th tank than in the 3rd tank.

How many guppies are in the 4th tank?

- (A) 20 (B) 21 (C) 23 (D) 24 (E) 26

PERSEVERANCE RIGOR DEDICATION 224 BISHAN STREET 23 BI-131

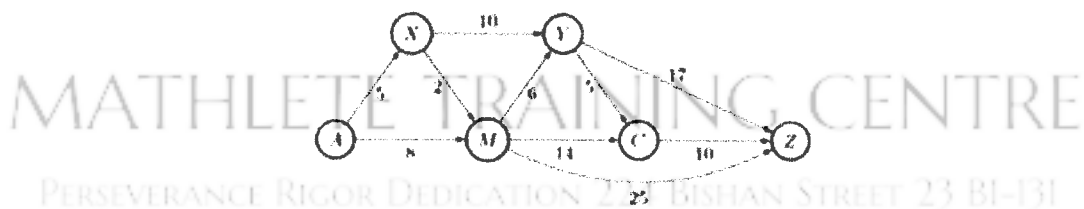
13. Buzz Bunny is hopping up and down a set of stairs, one step at a time. In how many ways can Buzz start on the ground, make a sequence of 6 hops, and end up back on the ground? (For example, one sequence of hops is up-up-down-down-up-down.)



- (A) 4 (B) 5 (C) 6 (D) 8 (E) 12

MATHLETE TRAINING CENTRE
 PERSEVERANCE RIGOR DEDICATION 224 BISHAN STREET 23 BI-131

14. The one-way route connecting towns A, M, C, X, Y and Z are shown in the figure below (not drawn to scale). The distances in kilometres along each route are marked. Travelling along these routes, what is the shortest distance from A to Z in kilometers?



- (A) 28 (B) 29 (C) 30 (D) 31 (E) 32

15. Let the letters F, L, Y, B, U, G represent distinct digits. Supposed $\underline{F} \underline{L} \underline{Y} \underline{F} \underline{L} \underline{Y}$ is the greatest number that satisfies the equation

$$8 \cdot \underline{F} \underline{L} \underline{Y} \underline{F} \underline{L} \underline{Y} = \underline{B} \underline{U} \underline{G} \underline{B} \underline{U} \underline{G}$$

What is the value of $\underline{F} \underline{L} \underline{Y} + \underline{B} \underline{U} \underline{G}$?

- (A) 1089 (B) 1098 (C) 1107 (D) 1116 (E) 1125

MATHLETE TRAINING CENTRE

PERSEVERANCE RIGOR DEDICATION 224 BISHAN STREET 23 BI-131

MATHLETE TRAINING CENTRE

PERSEVERANCE RIGOR DEDICATION 224 BISHAN STREET 23 BI-131

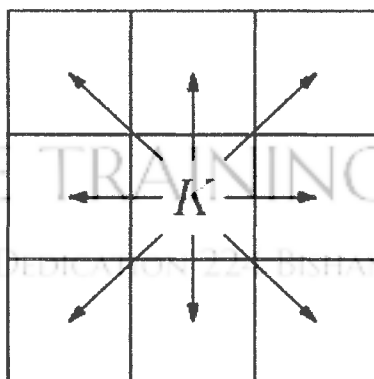
16. Minh enters the numbers 1 through 81 into the cells of a 9×9 grid in some order. She calculates the product of the numbers in each row and column. What is the least number of rows and columns that could have a product divisible by 3?

- (A) 8 (B) 9 (C) 10 (D) 11 (E) 12

MATHLETE TRAINING CENTRE

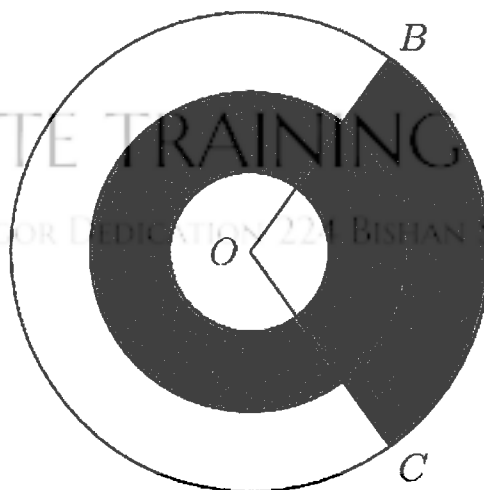
PERSEVERANCE RIGOR DEDICATION 224 BISHAN STREET 23 BI-131

17. A chess king is said to *attack* all the squares one step away from it, horizontally, vertically, or diagonally. For instance, a king on the centre square of a 3×3 grid attacks all 8 other squares, as shown below. Suppose a white king and a black king are placed on different squares of a 3×3 grid so that they do not attack each other. In how many ways can this be done?



- (A) 20 (B) 24 (C) 27 (D) 28 (E) 32

18. Three concentric circles centered at O have radii of 1, 2 and 3. Points B and C lie on the largest circle. The region between the 2 smallest circles is shaded, as is the portion of the region between the 2 larger circles bounded by central angle BOC , as shown in the figure below. Suppose the shaded and unshaded regions are equal in area. what is the measure of $\angle BOC$ in degrees?



- (A) 108 (B) 120 (C) 135 (D) 144 (E) 150

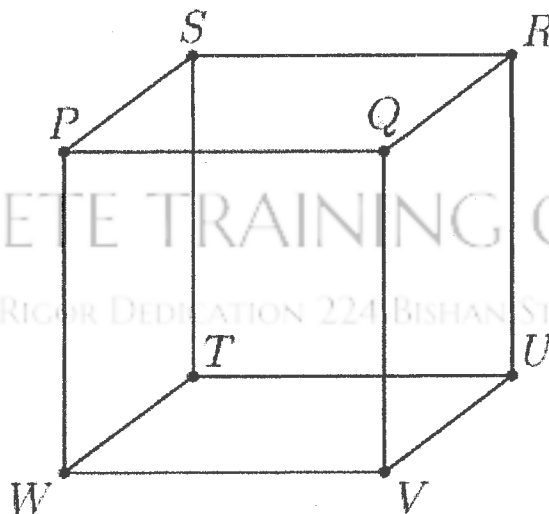
19. Jordan owns 15 pairs of sneakers. Three fifths of the pairs are red and the rest are white. Two thirds of the pairs are high-top and the rest are low-top. The red high-top sneakers make up a fraction of the collection. What is the least possible value of this fraction?



- (A) 0 (B) $\frac{1}{5}$ (C) $\frac{4}{15}$ (D) $\frac{1}{3}$ (E) $\frac{2}{5}$

MATHLETE TRAINING CENTRE

20. Any three vertices of the cube PQRSTUWV, shown in the figure below, can be connected to form a triangle. (For example, vertices P, Q and R can be connected to form isosceles triangle $\triangle PQR$.) How many of these triangles are equilateral and contain P as a vertex?



- (A) 0 (B) 1 (C) 2 (D) 3 (E) 6

MATHLETE TRAINING CENTRE

PERSEVERANCE RIGOR DEDICATION 224 BISHAN STREET 23 BI-131

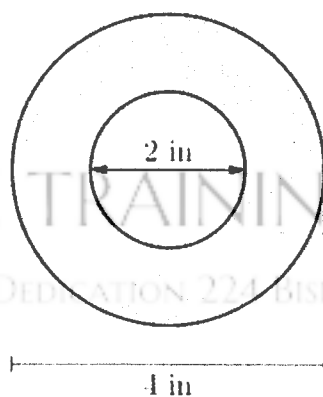
21. A group of frogs (called an *army*) is living in a tree. A frog turns green when in the shade and turns yellow when in the sun. Initially the ratio of green to yellow frogs was 3:1. Then 3 green frogs moved to the sunny side and 5 yellow frogs moved to the shady side. Now the ratio is 4:1. What is the difference between the number of green frogs and yellow frogs now?
- (A) 10 (B) 12 (C) 16 (D) 20 (E) 24

MATHLETE TRAINING CENTRE

PERSEVERANCE RIGOR DEDICATION 224 BISHAN STREET 23 BI-131

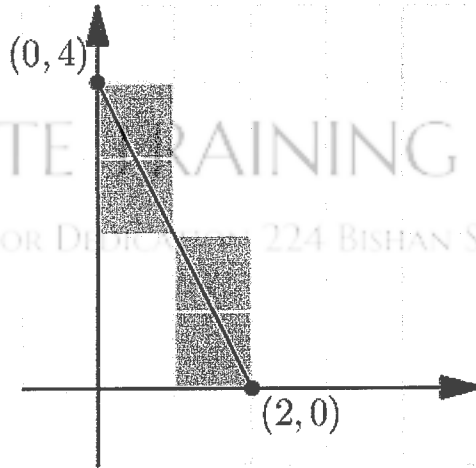
MATHLETE TRAINING CENTRE

22. A roll of tape is 4 inches in diameter and is wrapped around a ring that is 2 inches in diameter. A cross section of the tape is shown in the figure below. The tape is 0.015 inches thick. If the tape is completely unrolled, approximately how long would it be? Round your answer to the nearest 100 inches.



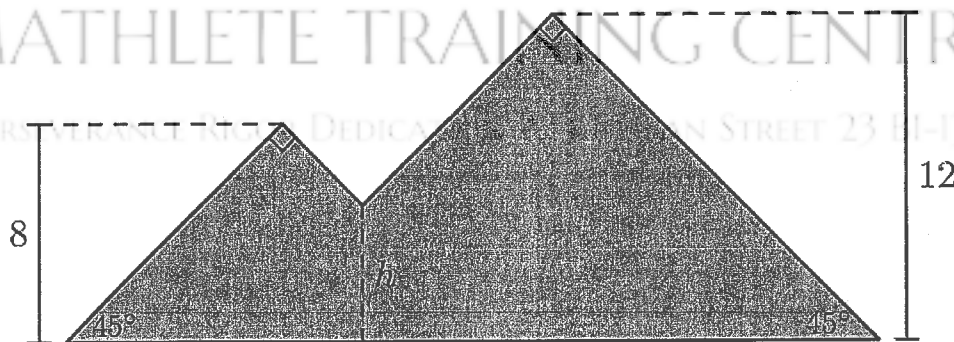
- (A) 300 (B) 600 (C) 1200 (D) 1500 (E) 1800

23. Rodrigo has a very large piece of graph paper. First he draws a line segment connecting point $(0, 4)$ to point $(2, 0)$ and colours the 4 cells whose interiors intersect the segment, as shown below. Next Rodrigo draws a line segment connecting point $(2000, 3000)$ to point $(5000, 8000)$. Again he colours the cells whose interiors intersect the segment. How many cells will he colour this time?



- (A) 6000 (B) 6500 (C) 7000 (D) 7500 (E) 8000

24. Jen made a piece of stained glass art in the shape of two mountain, as shown in the figure below. One mountain peak is 8 feet high and the other peak is 12 feet high. Each peak forms a 90° angle, and the straight sides of the mountains from 45° angles with the ground. The artwork has an area of 183 square feet. The sides of the mountains meet at an intersection point near the centre of the artwork, h feet above the ground. What is the value of h ?



- (A) 4 (B) 5 (C) $4\sqrt{2}$ (D) 6 (E) $5\sqrt{2}$

25. A small airplane has 4 rows of seats with 3 seats in each row. 8 passengers have boarded the plane and are distributed randomly among the seats. A married couple is next to board. What is the probability there will be 2 adjacent seats in the same row for the couple?



- (A) $\frac{8}{15}$ (B) $\frac{32}{55}$ (C) $\frac{20}{33}$ (D) $\frac{34}{55}$ (E) $\frac{8}{11}$

MATHLETE TRAINING CENTRE

PERSEVERANCE RIGOR DEDICATION 224 BISHAN STREET 23 BI-131

MATHLETE TRAINING CENTRE

PERSEVERANCE RIGOR DEDICATION 224 BISHAN STREET 23 BI-131

MATHLETE TRAINING CENTRE

PERSEVERANCE RIGOR DEDICATION 224 BISHAN STREET 23 BI-131